

# INSTRUCTION

Model No.	CA6208L-5	Description	Aluminum KD Commode Chair
N.W.	15.5KG	Weight Capacity	250KG

Material: Aluminum frame . PU seat ,seat cover,backrest and armrest.

Seat Width (R1)	Seat Height (R2)	Seat Depth (R3)	Backrest Height (R4)
610mm	510mm	410mm	395/420mm
Length (R5)	Height (R6)	Armrest Height (R7)	Width (R8)
840mm	935/960mm	215/240mm	745mm

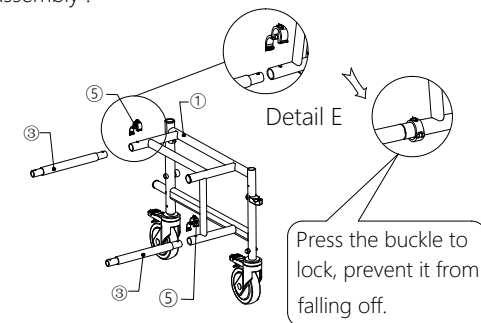


This product allows tool-free installation.  
Please check the following parts list before assembly .

① Left Frame 1PC	② Right Frame 1PC	③ Connecting Pipe 2PCS	④ Backrest 1PC
⑤ C Shape Buckle With Safety Lock 4PCS	⑥ Commode 1PC	⑦ Pentagram Knob 2PCS	⑧ Left Footrest 1PC
⑨ Right Footrest 1PC	⑩ Seat 1PC	⑪ Seat Cover 1PC	

## ASSEMBLE STEPS Please refer to the following manual for assembly .

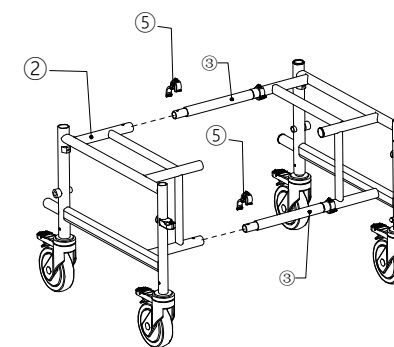
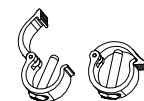
- 1.1 Prepare part ① x1, ③ x2, ⑤x2 .
- 1.2 Insert part ③ to part ① as shown in <fig. 1>, while aligning the side holes of these 2 parts .
- 1.3 Insert part ⑤ into the hole and fasten the safety lock,as shown in<fig. 1 detail E> .



< figure 1 >

- 2.1 Prepare part ② x1, ⑤x2 .
- 2.2 Insert part ② to part ③ as shown in<fig. 2> . while aligning the side holes of these 2 parts .
- 2.3 Insert part ⑤ into the hole and fasten the safety lock.

Note:Part ⑤ has a safety lock in order to prevent it from falling off during using.

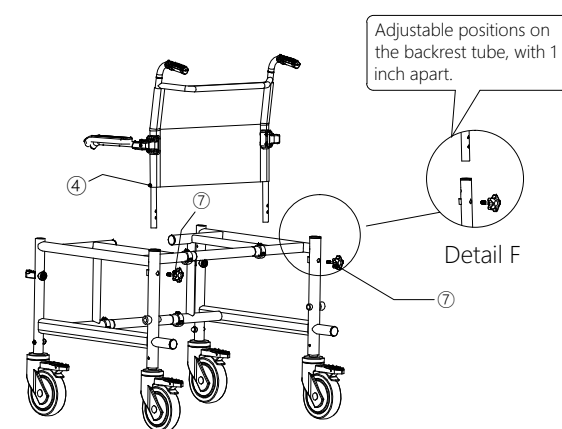


< figure 2 >

- 3.1 Prepare part ④ x1, ⑦ x2 .
- 3.2 Insert part ④ to the nozzles as shown in <fig. 3>, while aligning the side holes of these 2 parts .

Note : There are 2 holes available at the end of the part ④, which could adjust both backrest and armrest height at the same time .Please choose the right position according to the user's actual situation.

- 3.3 After aligning the holes,fasten the 2 parts with part ⑦,as shown in <fig. 3> .

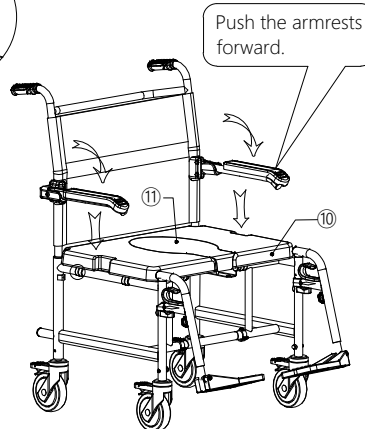
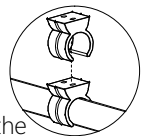


< figure 3 >

4

- 4.1 Prepare part ⑩ x1 , ⑪x1 .
- 4.2 Align U-shaped buckles which is at the bottom of part ⑩ with the frame . Press both ends of the seat to clamp the buckles into place , as shown in <fig. 4> .
- 4.3 Put part ⑪ in the middle groove of part ⑩
- 4.4 Push the armrests forward until reach into place , as shown in <fig. 4> .

Note: Armrest can be easily flipped up , which is convenient for users to transfer and push into desks.

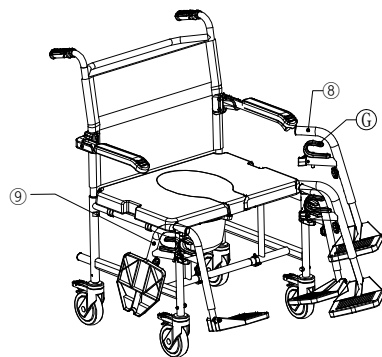


< figure 4 >

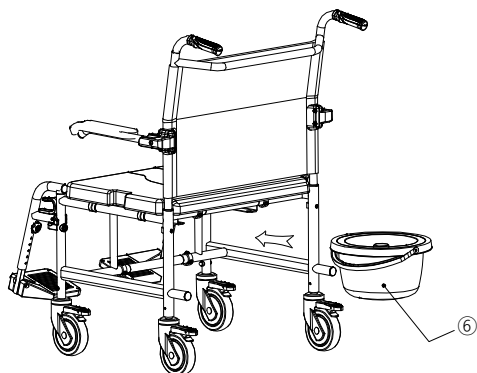
5

- 5.1 Prepare part ⑧ x1 , ⑨x1 .
- 5.2 Align the part ⑧ with the nozzle position as shown in <fig. 5>.Insert it from the side , and rotate it to the front as direction of the arrow , until fastening into the holder .

Note : The foot plate can be foldable . While holding handle ③<fig. 5> , you can rotate the footrest to the side . As part ⑨ shown ,lift it up to remove the footrest.



< figure 5 >



< figure 6 >

6

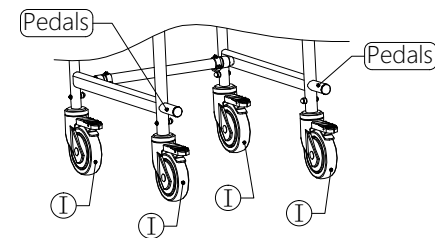
- 6.1 Prepare part ⑥ x1 .
- 6.2 Align the part ⑥ with the slots at the bottom , and push it into the right position , as shown in <fig. 6>.

## FUNCTION DESCRIPTIONS

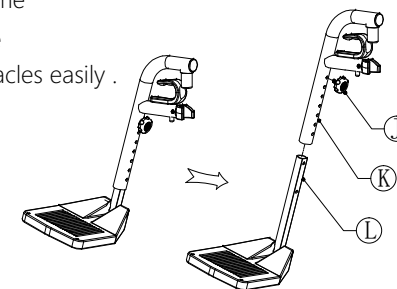
- 1 Equipped with 4 universal silent wheel sets, with horeshoe-type foot brakes, as shown in <fig. 7>,Which can be easily pushed and turned in a narrow space .
- 2 There are pedals on both rear sides of the frame which is convenient for the caregiver to lift the commode chair with foot , and cross the obstacles easily .
- 3 Armrest can be easily flipped up , which is convenient for users to transfer and push into desks , as shown in <fig. 4> .
- 4 Rotatable and detachable footrests <fig. 5>, which are also height adjustable .

Adjustment : As shown in <fig. 8>, part ① has 2 adjustment positions , and part ② has 7 adjustment positions . Select the positions according to the actual situation of the user , and then locked by knob ③ .

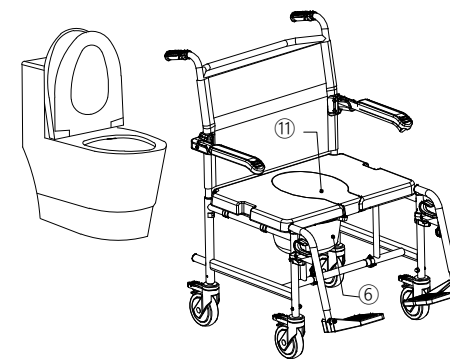
- 5 After removing part ④ and part ⑤ , the product can be used on a medium-sized toilet .



< figure 7 >



< figure 8 >



< figure 9 >

## CAUTIONS



### Warning

Non-professionals are not allowed to disassemble or modify parts on the product . The user's weight must not exceed the maximum weight capacity .

- This product is suitable for using indoors , with commode chair and wheelchair functions .
- Avoid exposure to sunlight and store in a cool , dry and ventilated place .
- Before pushing the product , ensure the user's feet are placed on the foot plate .
- Do not stand on the foot plate , Do not put both arms on either side of the armrest .

MADE IN CHINA